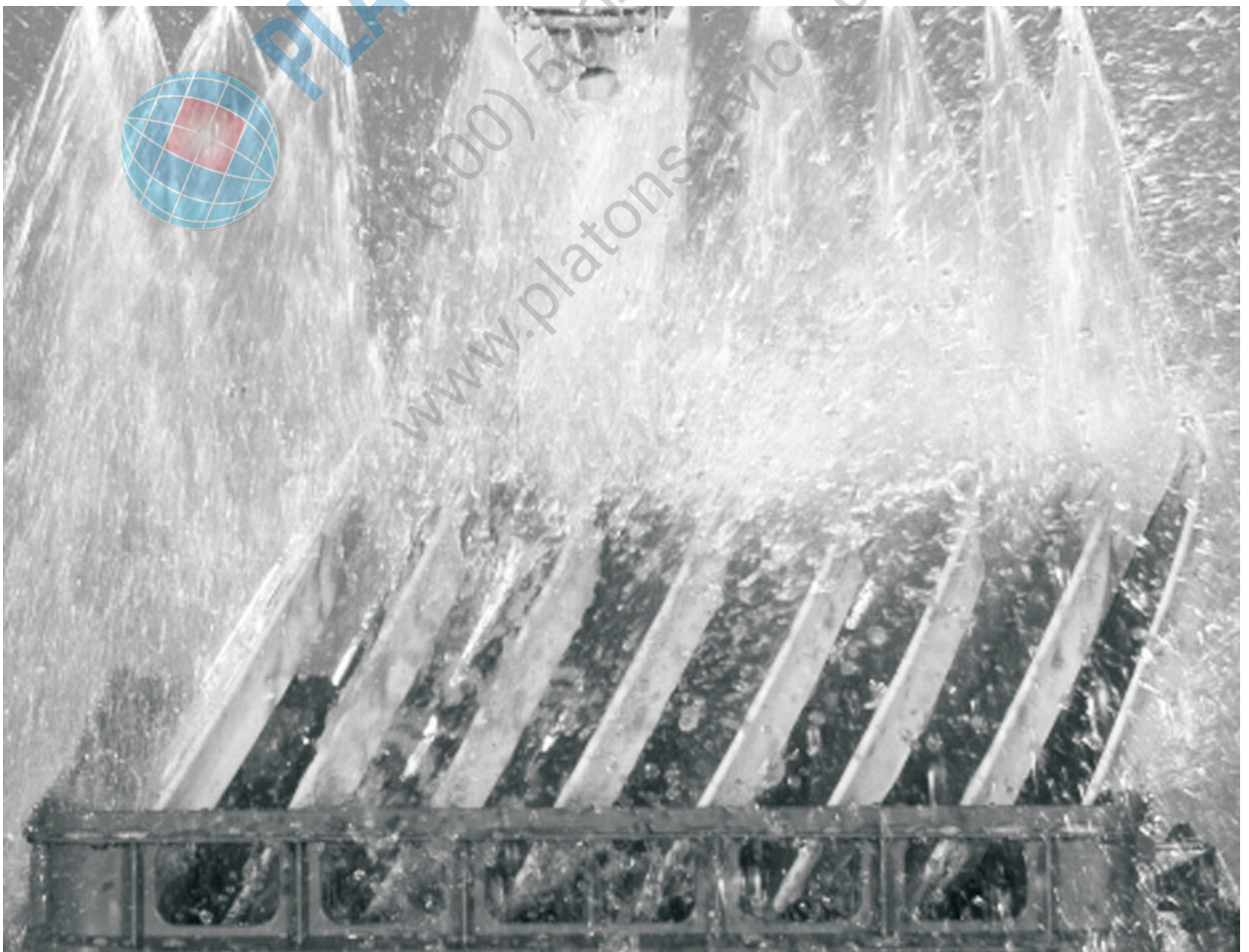


# Spare parts list



## Universal utensil washer

DV 270.2      208-230V / 460V / 60HZ 3P / MIKE 2





**PLATON**SERVICE

8 (800) 500-34-41

[www.platonservice.com](http://www.platonservice.com)

# DV 270.2

## Contents:

01.36	Wash Pump
03.31	Final Rinse System Lateral
03.32	Final Rinse System
03.33	Wash System
04.27	Solenoid Valve
06.07	Level Control
08.51	Incorporated Boiler
09.11	Tank Heating
10.14	Dosing Units
11.75	Electronic Control 208-230V
11.76	Electronic Control 460V
13.43	Component Blocks/Parts
14.11	Hood Rod
18.09	Drain Pump
22.12	Booster Pump
24.07	Air Gap
29.07	Wash Arm Drive

## LEGEND KEY FOR PARTS

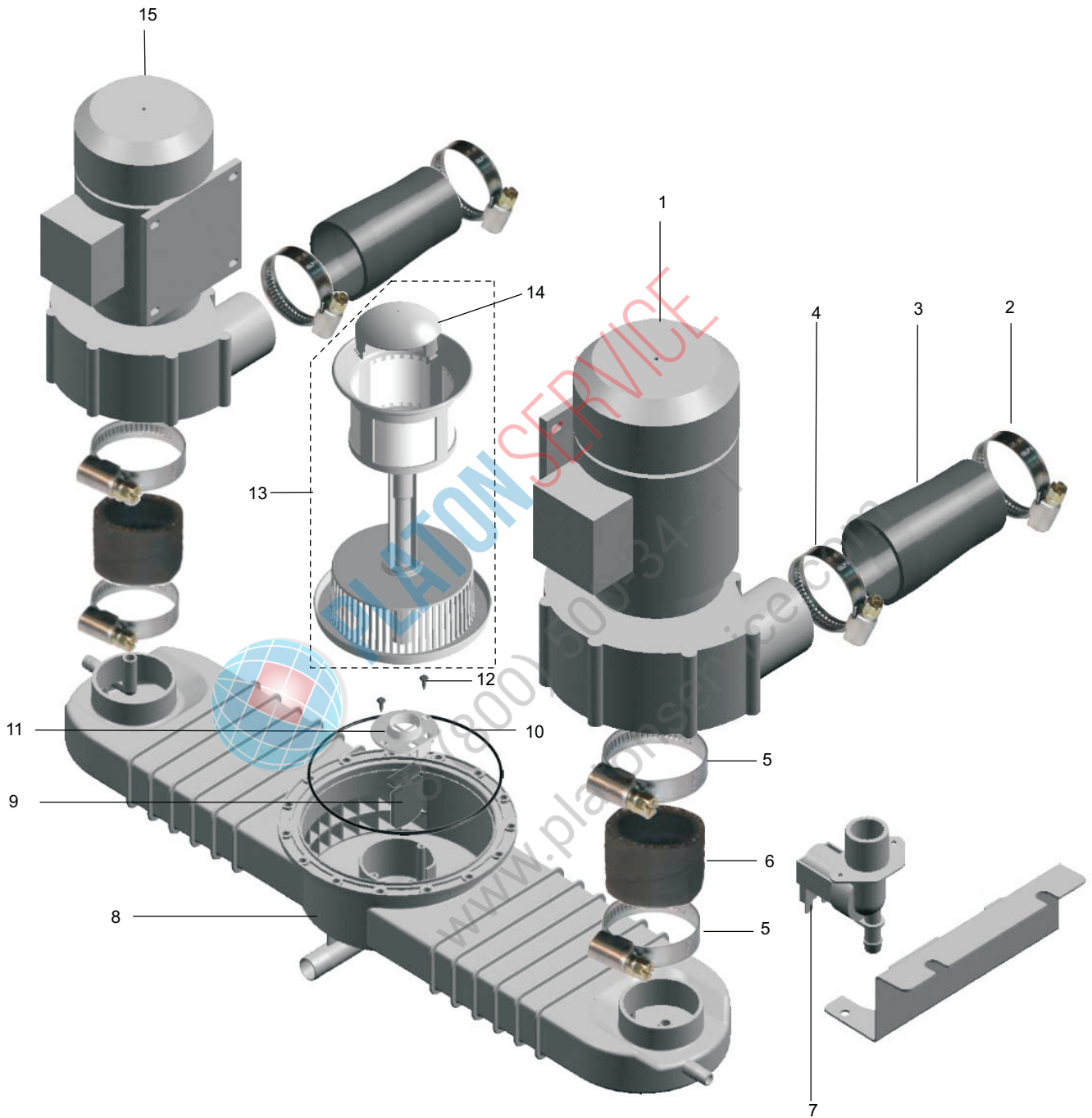
\* / V WE RECOMMEND HAVING THESE PARTS IN STOCK

V WEAR AND TEAR PART

WE RESERVE THE RIGHT TO CHANGE EXECUTION AND CONSTRUCTION OF THESE PARTS

MEIKO USA Inc.  
917 Airpark Center Drive  
Nashville, TN 37217  
USA  
Toll Free (800) 55-MEIKO  
FAX (615) 399-6620  
www.meiko.us  
Info@meiko.us

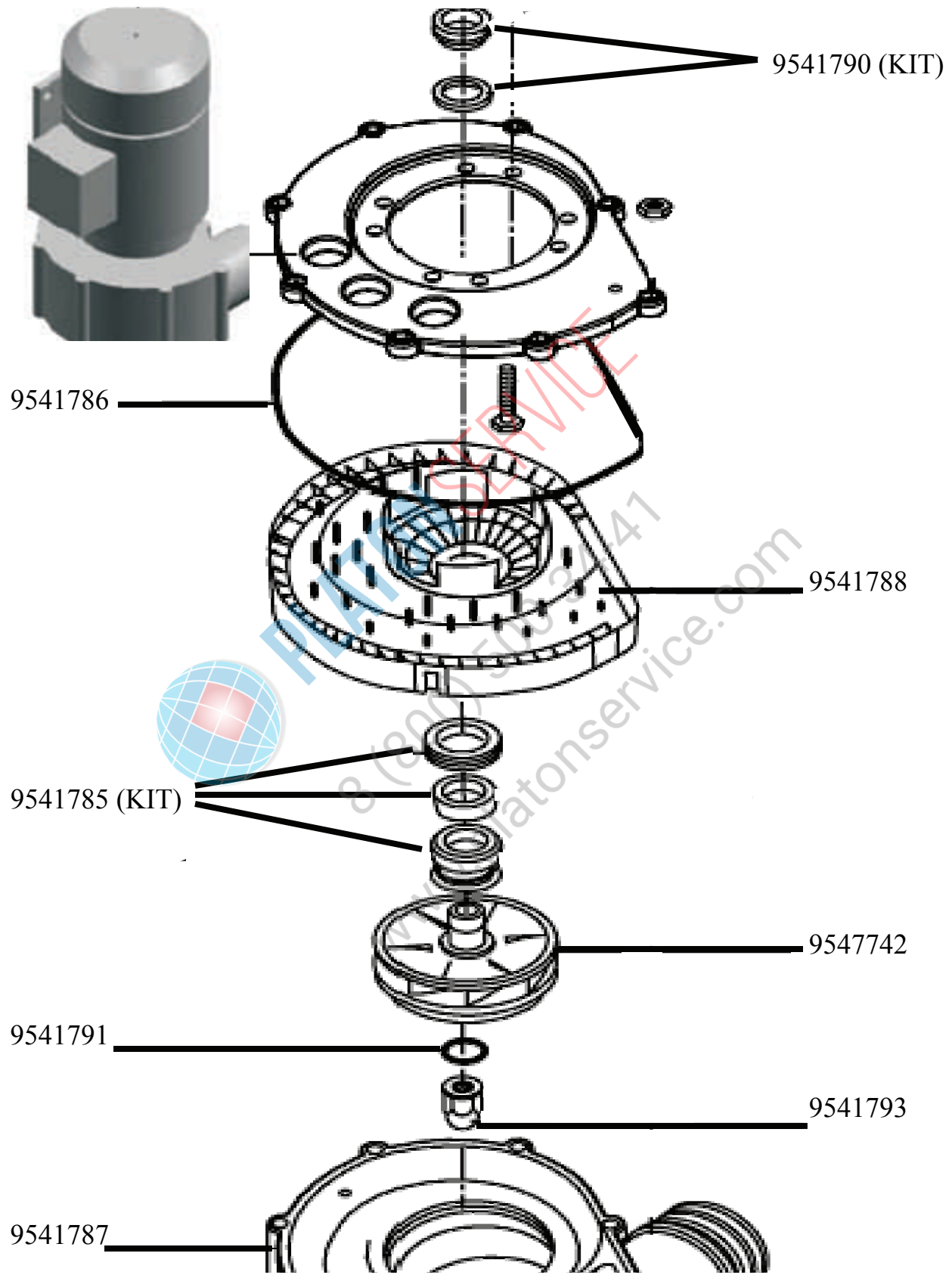
# 01.36 WASH PUMP



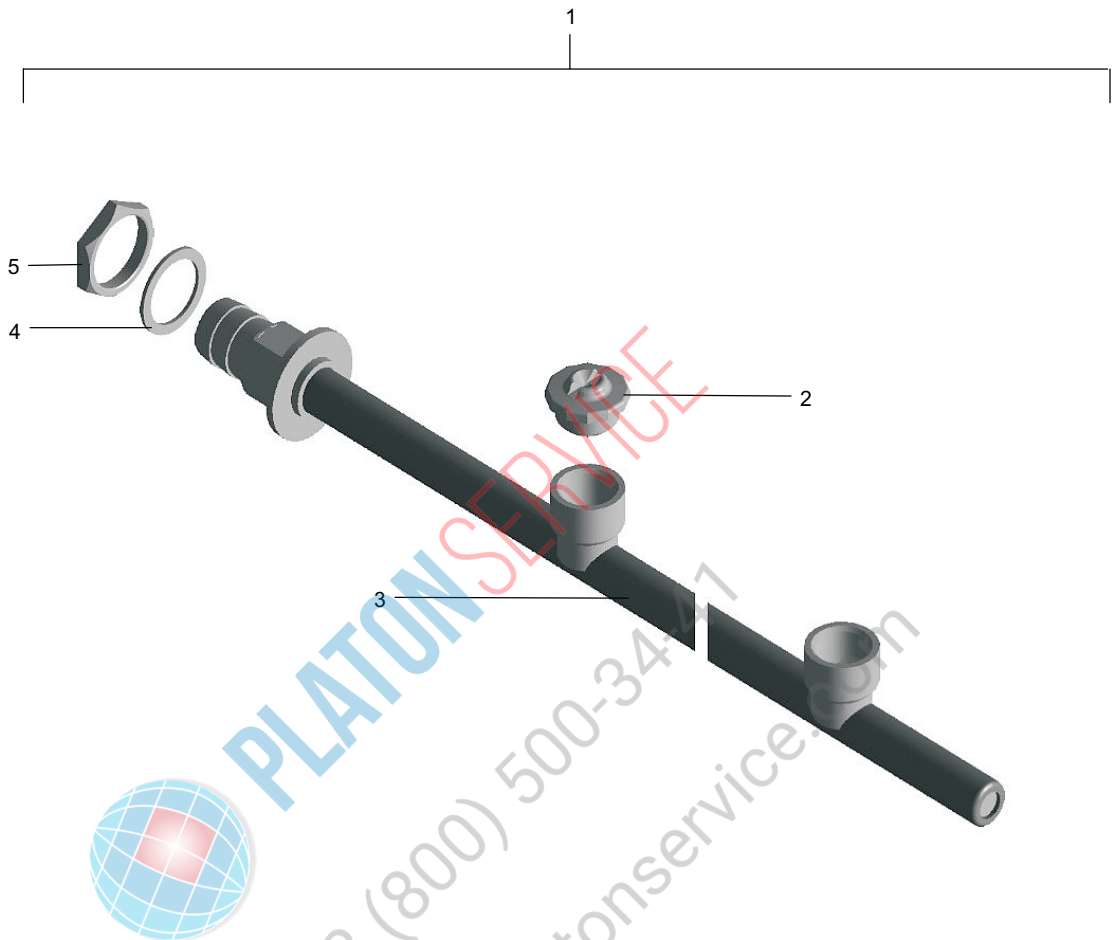
## 01.36 WASH PUMP



POS	PART NO.	DESCRIPTION
1 *	9603686	WASH PUMP 2.2 KW CPL. <b>200-230V (RIGHT)</b>
1 *	9621561	WASH PUMP 2.2 KW CPL. <b>460V (RIGHT)</b>
V	9541785	SLIDING SEAL CPL.
*	9541786	PACKING MOTOR SHAFT
*	9541787	PUMP HOUSING
	9541788	PUMP LID
*	9547742	PUMP WHEEL 60 HZ 0105
*	9541790	PACKING PUMP HOUSING
*	9541791	O-RING 12X2.5
2	9546093	HOSE WIRE CLAMP 70-90
3 *	9600818	HOSE CONNECTION
4	9546094	HOSE WIRE CLAMP 80-100
5	9513277	HOSE WIRE CLAMP 70-90
6 *	9543879	HOSE CONNECTION
7	9544640	SOLENOID VALVE
8	9600932	SUCTION SYSTEM
9 *	9601543	FLAP
10 *	9600791	O-RING
11	9600744	DRAIN HOUSING
12	0330022	SCREW 4.2X13
13	9612087	FILTER CPL.
14	9607788	COVERING CAP
15 *	9603682	WASH PUMP 2.2 KW CPL. <b>200-230V (LEFT)</b>
15	9621556	WASH PUMP 2.2 KW CPL. <b>460V (LEFT)</b>
*	9541785	SLIDING SEAL CPL.
*	9541786	PACKING MOTOR SHAFT
*	9541787	PUMP HOUSING
	9541788	PUMP LID
*	9547742	PUMP WHEEL 60HZ 0105
*	9541790	PACKING PUMP HOUSING
*	9541791	O-RING 12X2.5

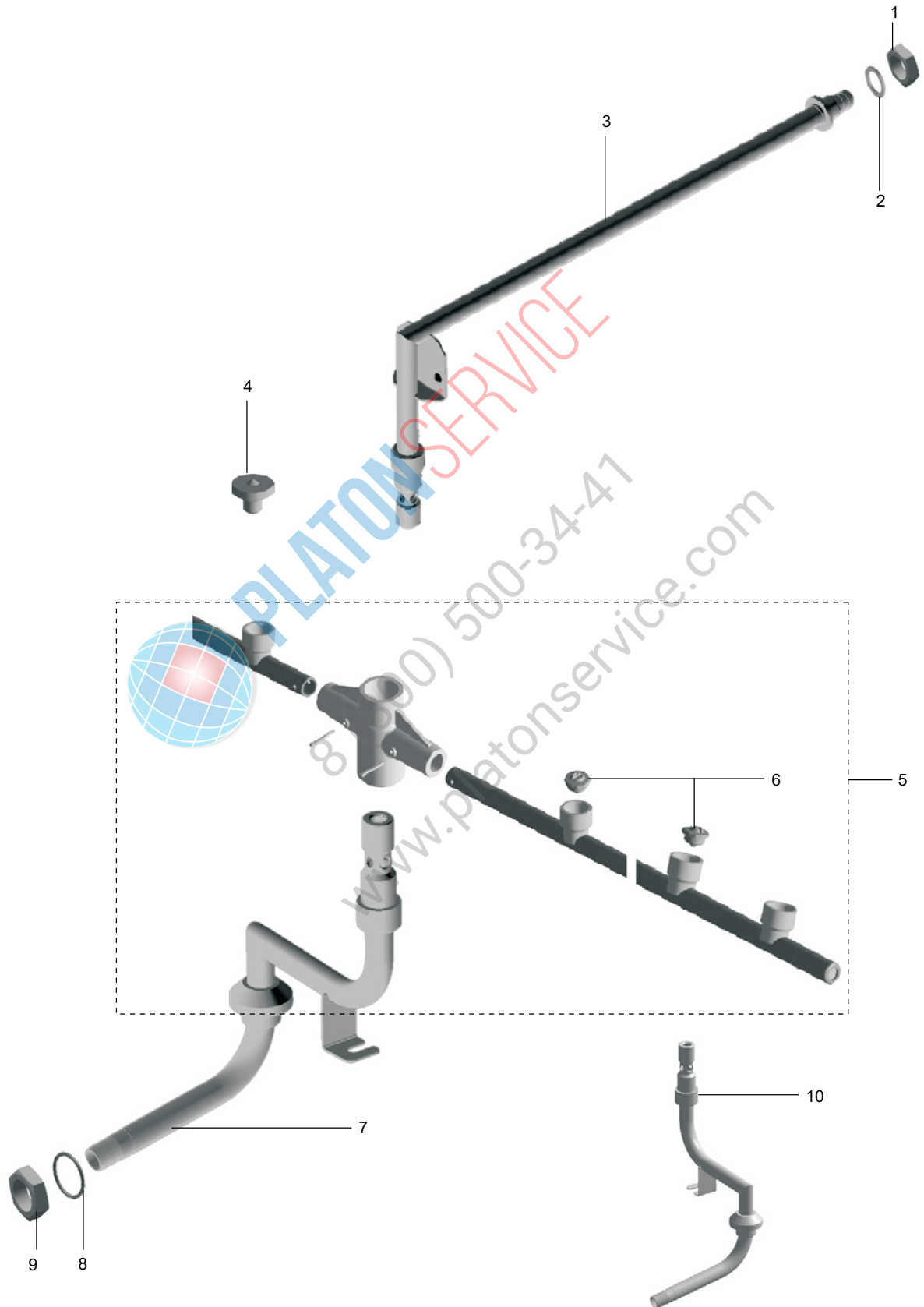


## 03.31 FINAL RINSE SYSTEM LATERAL



POS	PART NO.	DESCRIPTION
1	9601809	FINAL RINSE SYSTEM LATERAL
2 *	9517406	FINAL RINSE NOZZLE CPL.
3	9601810	FINAL RINSE PIPE
4 *	0408238	PACKING
5	0360211	HEXAGON NUT 3/8"

**03.32 FINAL RINSE SYTEM**







### 03.32 FINAL RINSE SYTEM

POS	PART NO.	DESCRIPTION
1	8660239	HEXAGON NUT 3/8"
2 *	0408238	O-RING 17X24X2
3	9601471	UPPER ROTATING ARM CENTER
4 *	0310010	KNURLED SCREW
5	9601025	FINAL RINSE ARM CPL.
6 *	9517406	FINAL RINSE NOZZLE CPL.
7	9601011	LOWER ROTATING ARM CENTER RIGHT
8 *	0401066	O-RING 22X3
9	8660046	HEXAGON NUT 1/2"
10 *	9601035	LOWER ROTATING ARM CENTER LEFT

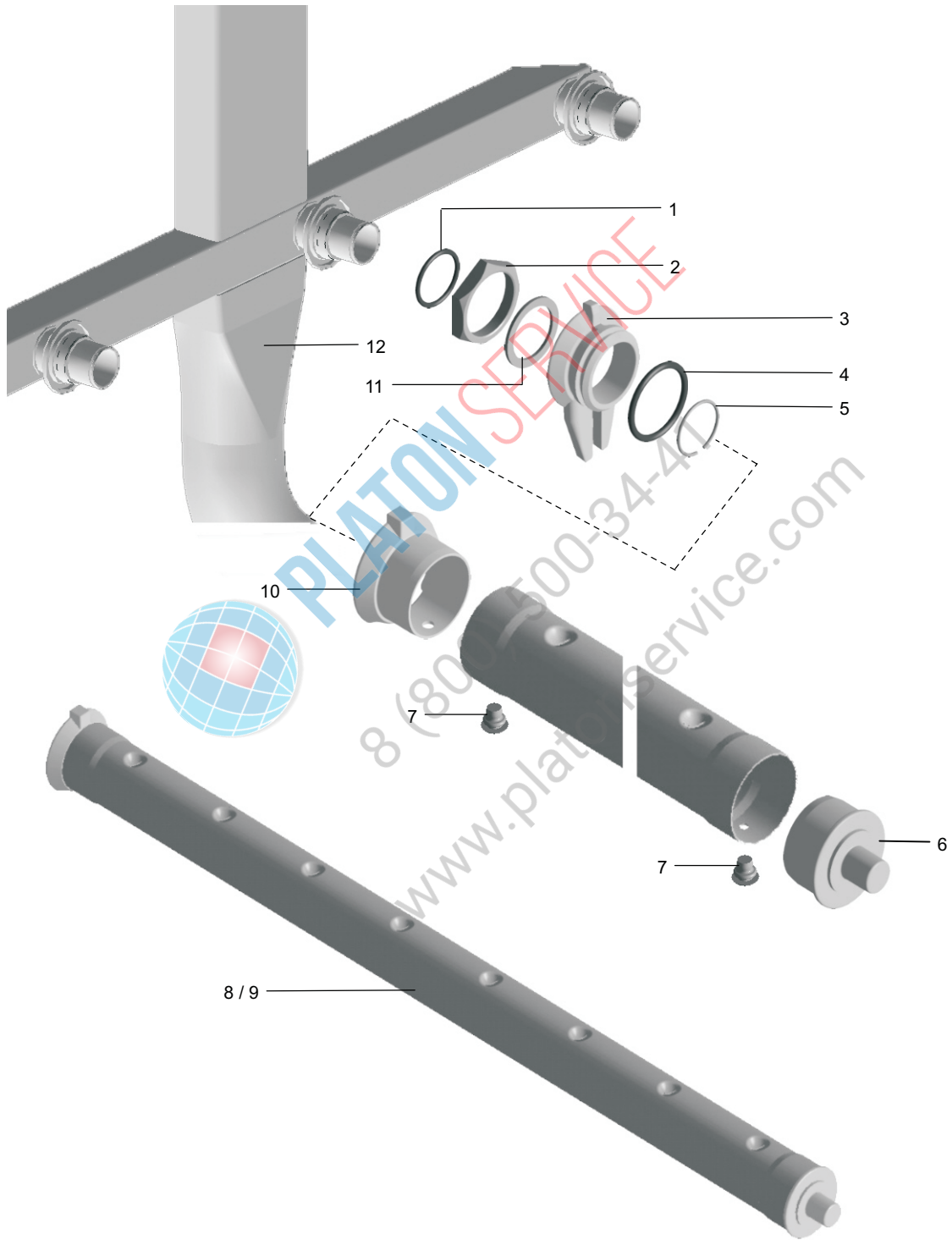


PLATON SERVICE

8 (800) 500-34-47

www.platonservice.com

**03.33 WASH SYSTEM**



## 03.33 WASH SYSTEM



POS	PART NO.	DESCRIPTION
1 *	9601007	O-RING
2	9600765	HEXAGON NUT
3 *	9600764	CARRIER
4 *	0401029	O-RING
5 *	9600784	SNAP RING
6 *	9600446	CLOSING CAP
7 *	9600832	BLIND RIVET
8	9602348	UPPER WASH ARM
9	9601781	LOWER WASH ARM
10	9600763	CLUTCH
11	9600453	DISK
12	9608918	ASCENDING PIPE

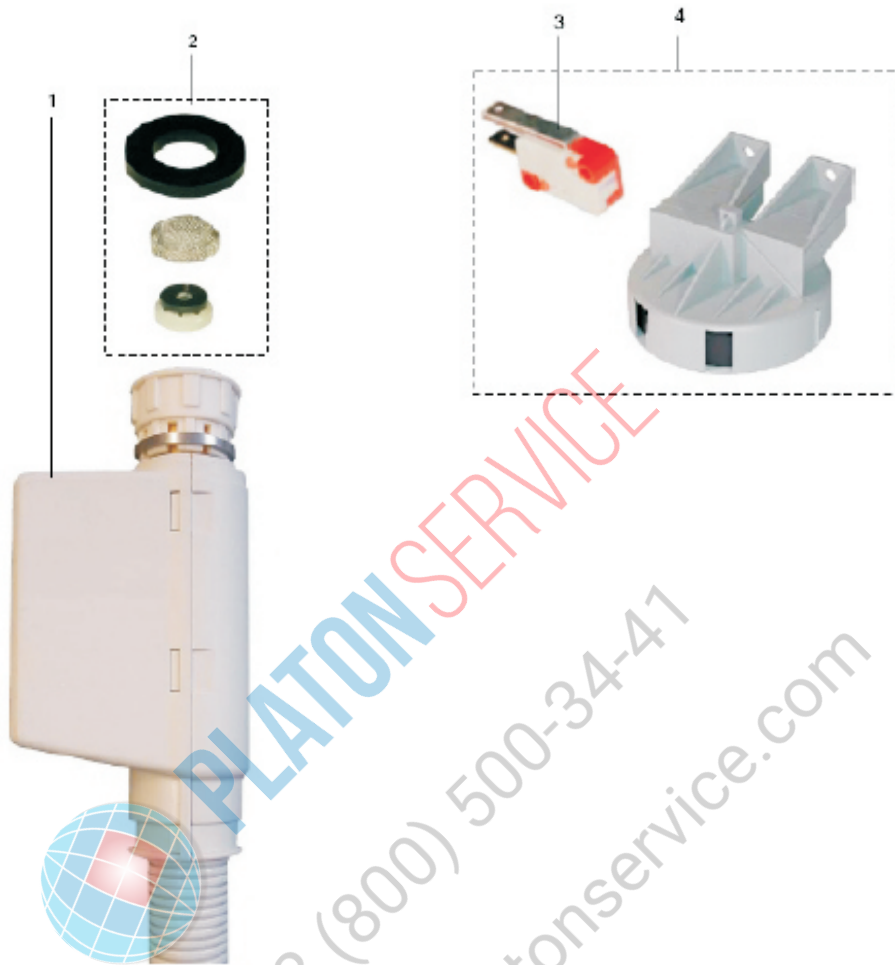


PLATON SERVICE

8 (800) 500-34-41

[www.platonservice.com](http://www.platonservice.com)

## 04.27 SOLENOID VALVE



PLATON SERVICE  
8 (800) 500-34-47  
www.platonservice.com

POS	PART NO.	DESCRIPTION
-----	----------	-------------

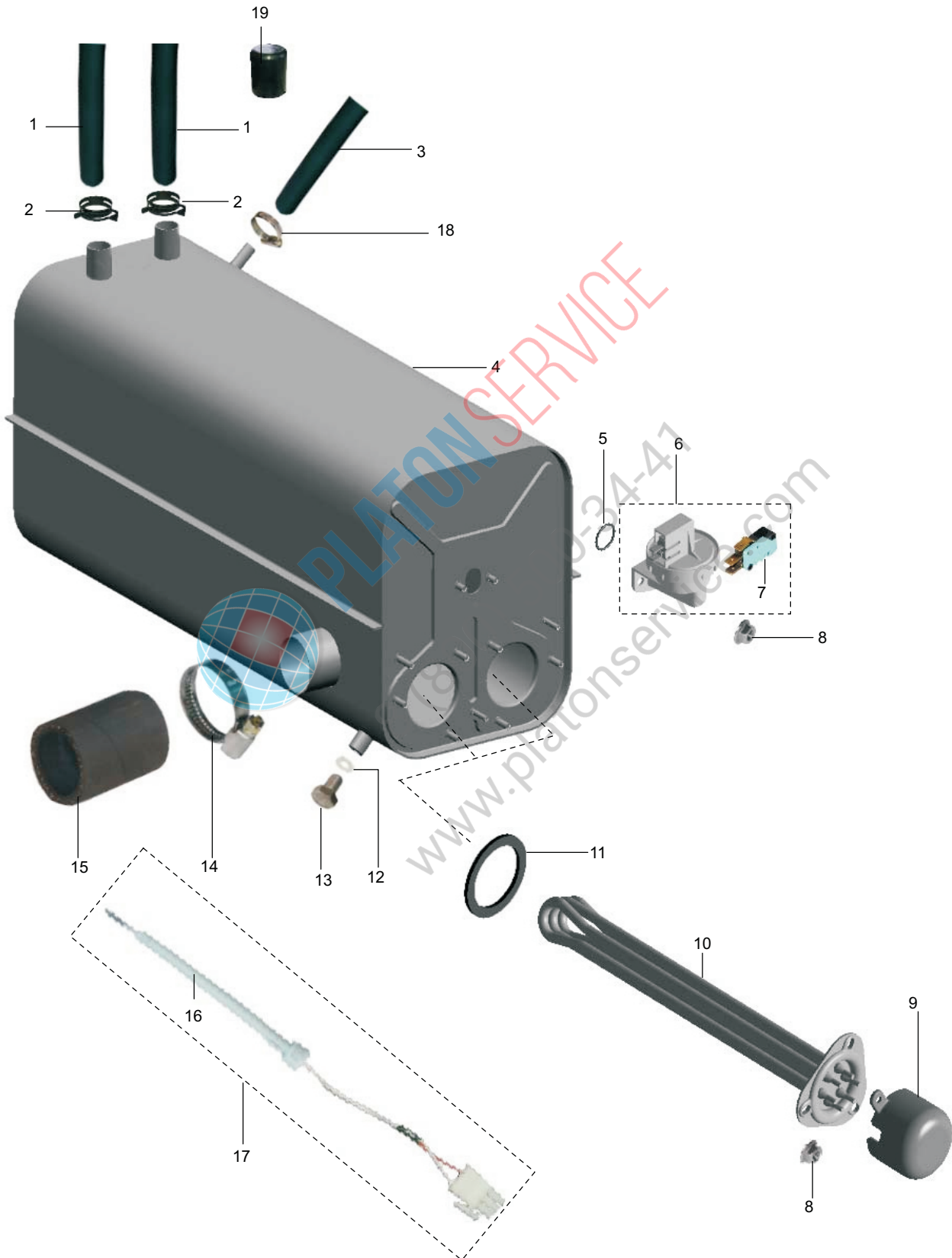
1 *	9604362	AQUASTOP SYSTEM 24V L=1800MM
2 *	9617744	AQUASTOP REPAIR KIT
3 *	9622932	MICROSWITCH
4 *	9622935	GROUND FLOAT SWITCH CPL.

## 06.07 LEVEL CONTROL



POS	PART NO.	DESCRIPTION
1 *	9537961	LEVEL SWITCH
2 *	9500045-H	HOSE WIRE CLAMP YELLOW
3 *	0260006	HOSE TRANSPARENT 05
4	9601265	HOSE BRACKET
5	9515957	NUT 3/8"
6 *	9515964	PACKING
7 *	9515955	AIR TRAP

# 08.51 INCORPORATED BOILER

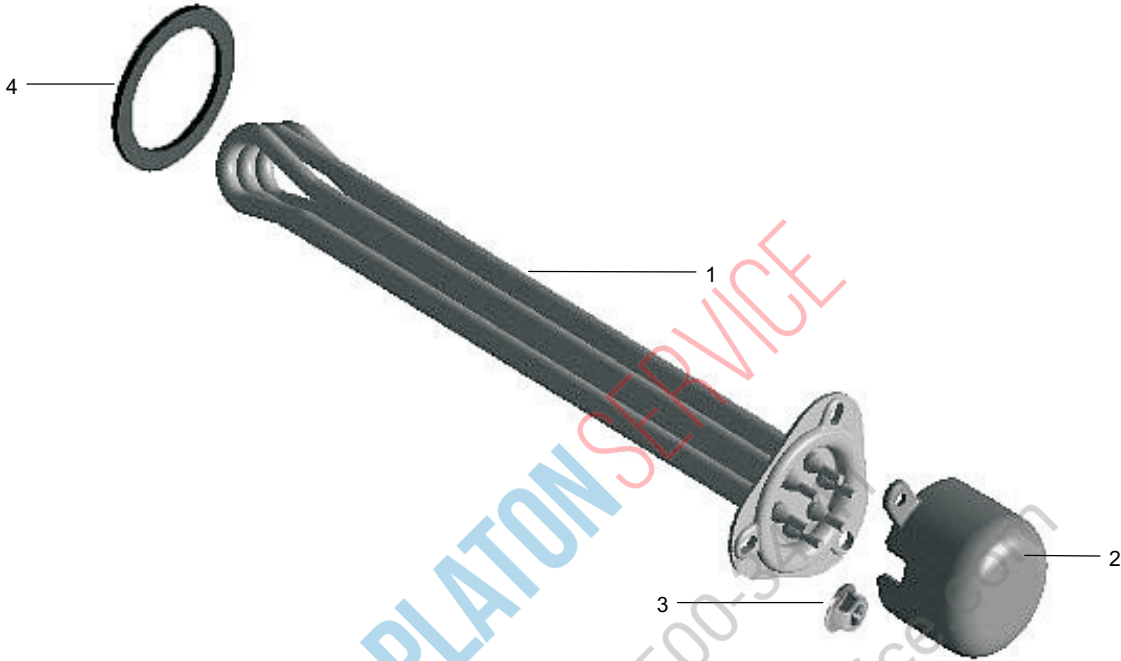


## 08.51 INCORPORATED BOILER



POS	PART NO.	DESCRIPTION
1 *	9608600	HOSE CPL 1/2"
2	9607418	HOSE CLAMP TAPE 021
3	9608607	HOSE CPL 3/8"
4	9604799	BOILER
5 *	0401014	O-RING 18X2
6 *	9622898	LEVEL SWITCH CPL.
7 *	0122103	MICROSWITCH
8	0335008-H	NUT M5
9	0620312	CLOSING CAP
10 *	9546194	HEATING ELEMENT 7.5 KW WITH THERMAL PROTECTION <b>FOR 208-230V</b>
*	9546195	HEATING ELEMENT 6 KW WITH THERMAL PROTECTION <b>FOR 208-230V</b>
*	9546196	HEATING ELEMENT 9 KW WITH THERMAL PROTECTION <b>FOR 208-230V</b>
11 *	0101176	HEATING ELEMENT PACKING
12 *	0408001	PACKING 8X17X1.5
13	0302006-H	SCREW M8X15
14	0233046	HOSE WIRE CLAMP 32-50
15	9600820	HOSE
16	9639301	CABLE CLIP
17 *	9640339	TEMP PROBE ASSEMBLY
	9634739	TEMP PROBE
18	0233035	HOSE WIRE CLAMP 12/20
19	9609357	CLOSING CAP ONLY FOR DV270.2, FV130.2, AND FV250.2

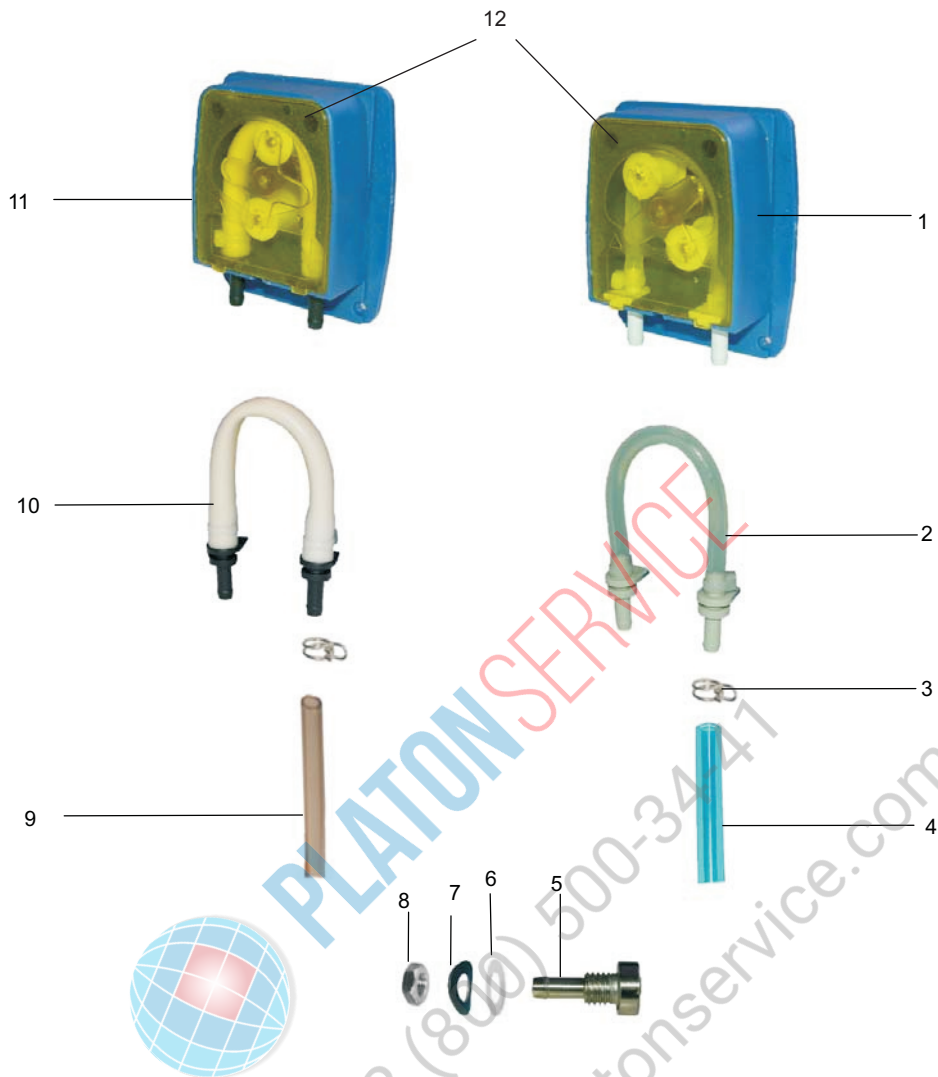
## 09.11 TANK HEATING



POS	PART NO	DESCRIPTION
1 *	9546193	HEATING ELEMENT 4.5 KW WITH THERMAL PROTECTION
1	9546195	HEATING ELEMENT 6 KW WITH THERMAL PROTECTION
2	0620312	CLOSING CAP
3	0335008-H	NUT M5
4 *	0101176	HEATING ELEMENT PACKING

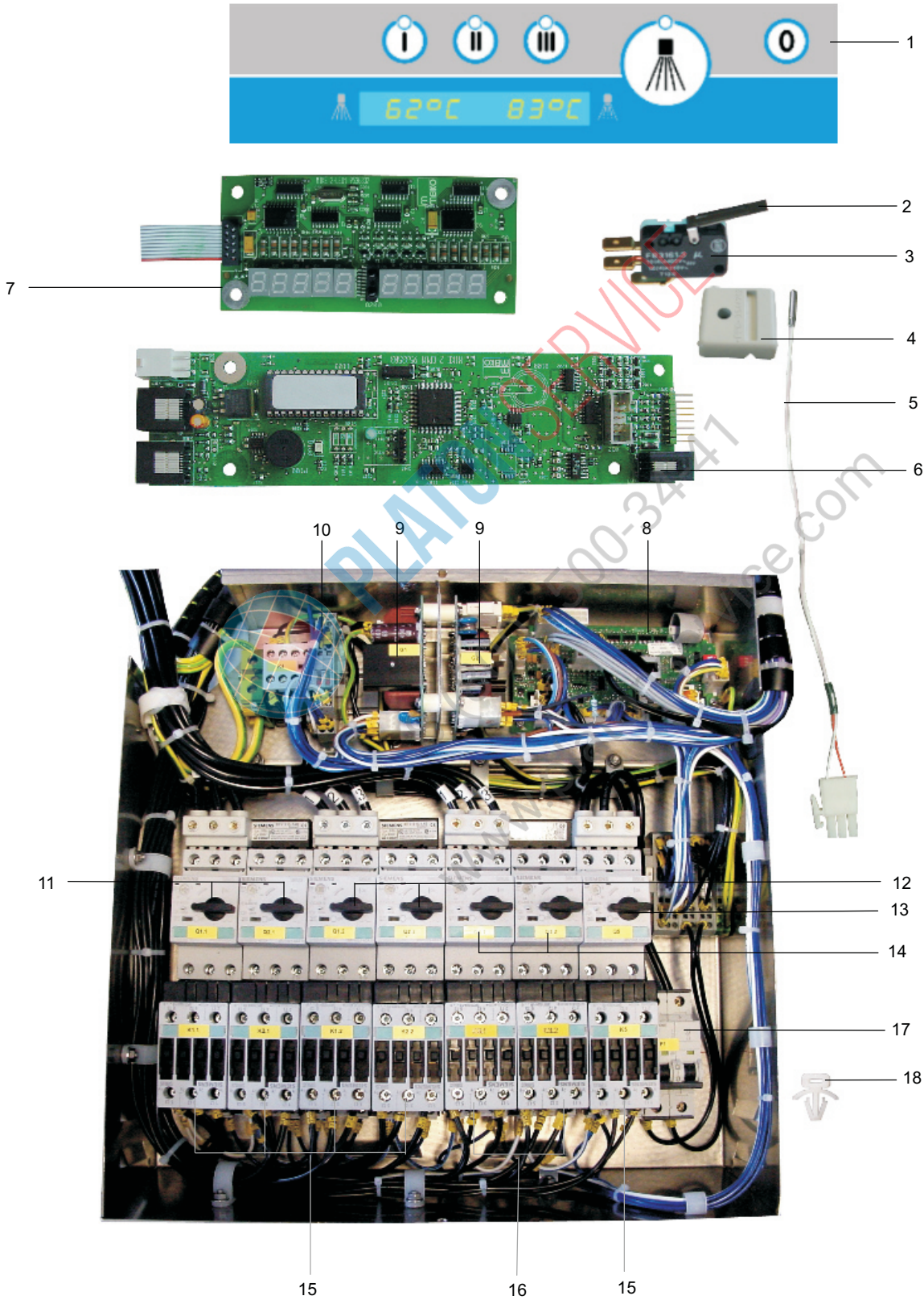


## 10.14 DOSING UNITS



POS	PART NO.	DESCRIPTION
1 *	9544293	RINSE AID DOSING PUMP CPL.
2 V	9544088	HOSE RINSE AID CPL.
3 *	9500045-H	HOSE WIRE CLAMP YELLOW
4 *	9538712	HOSE BLUE 06
5	8000013	HOSE CONNECTION
6 *	9603787	FLAT PACKING 10X16X2
7	9603790	SPRING WASHER M10
8	0335019	HEXAGON NUT
9 *	0260007	HOSE TRANSPARENT 06
10 V	9511675	HOSE DETERGENT CPL.
11 *	9544292	DETERGENT DOSING PUMP CPL.
12	9203579	YELLOW PUMP COVER

# 11.75 ELECTRONIC CONTROL 208-230

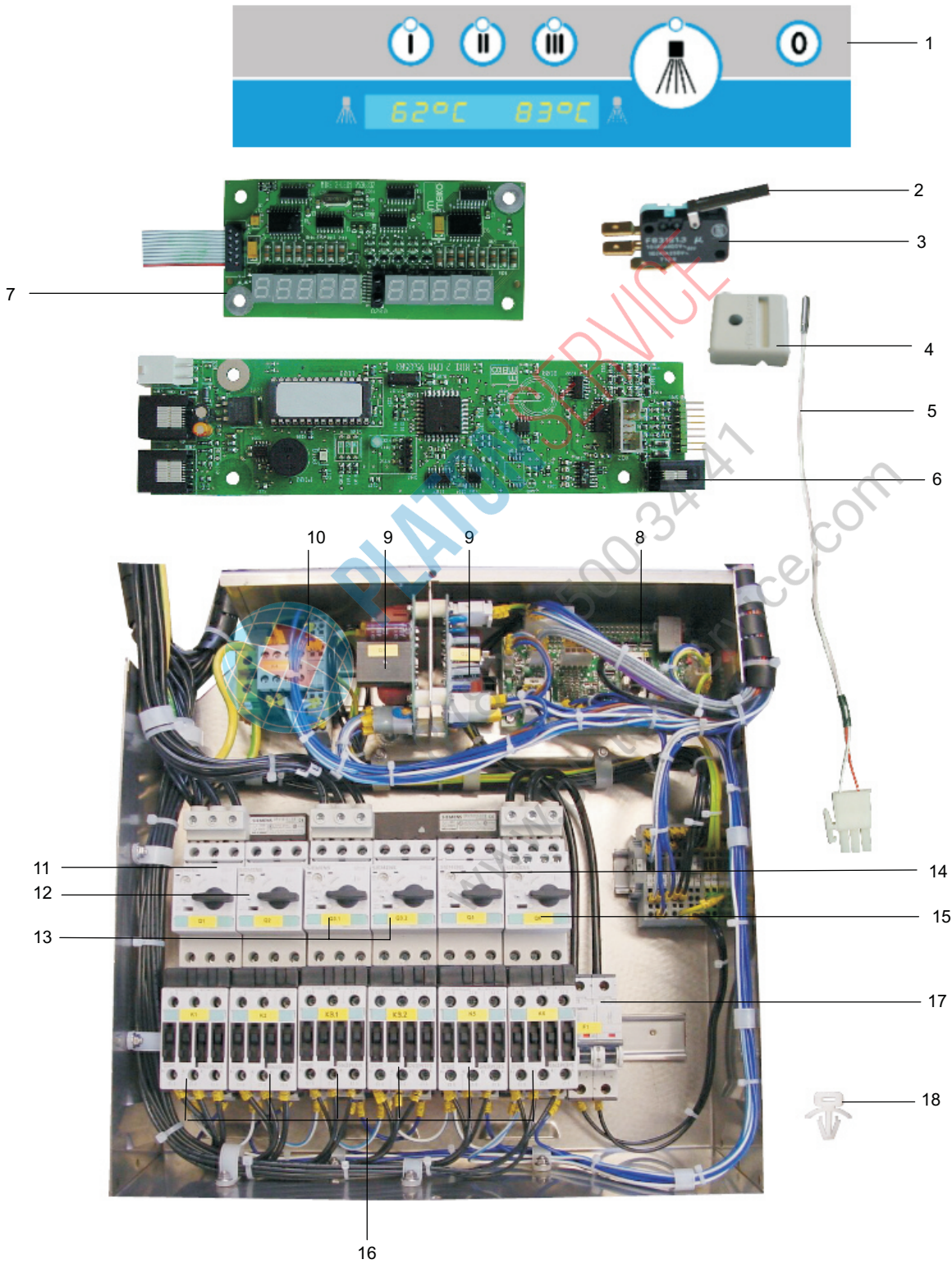


# 11.75 ELECTRONIC CONTROL 208-230V



POS	PART NO.	DESCRIPTION
1 *	9537365	TOUCH PAD DV270.2
2 *	0122106	LEVER FOR MICROSWITCH
3 *	0122103	MICROSWITCH
4	9639363	TEMP PROBE MOUNTING BRACKET
5 *	9634739	WASH TANK TEMP PROBE
	9640338	WASH TANK TEMP PROBE ASSEMBLY KIT
6 *	9541525	CPU CIRCUIT BOARD ASSEMBLY KIT
7 *	9542049	DISPLAY CIRCUIT BOARD ASSEMBLY
8 *	9617235	INPUT/OUTPUT CIRCUIT BOARD
	9611761	FINE WIRE FUSE 16A
9 *	9533502	POWER SUPPLY UNIT
	0145047	FINE WIRE FUSE 2A
10	9605554	RELAY 24VDC 1S/1O
11 *	9544738	MOTOR SAFETY SWITCH 3RV1021-4DA10 S0
12 *	9544732	MOTOR SAFETY SWITCH 3RV1021-4BA10 S0
13 *	9540603	MOTOR SAFETY SWITCH 3RV1021-1DA10
14 *	9540601	MOTOR SAFETY SWITCH 3RV1021-1JA10 S0
15 *	9542897	CONTACTOR 24V 4 KW 3RT1023-1BB40
16 *	9544770	CONTACTOR 24V 5.5 KW 3RT1024-1BB40 S0
17 *	9610355	FUSE BLOCK B10
18	9607101	CABLE TIE SUPPORT
	9540552	EPROM
	9627977	E-EPROM
*	9542762	CONNECTION CABLE FOR CIRCUIT BOARD
*	9545152	COMMUNICATION RIBBON CABLE

# 11.76 ELECTRONIC CONTROL 460V



## 11.76 ELECTRONIC CONTROL 460V



POS	PART NO.	DESCRIPTION
1 *	9537365	TOUCH PAD DV270.2
2 *	0122106	LEVER FOR MICROSWITCH
3 *	0122103	MICROSWITCH
4	9639363	TEMP PROBE MOUNTING BRACKET
5 *	9634739	WASH TANK TEMP PROBE
	9640338	WASH TANK TEMP PROBE ASSEMBLY
6 *	9541525	CPU CIRCUIT BOARD ASSEMBLY KIT
7 *	9542049	DISPLAY CIRCUIT BOARD ASSEMBLY KIT
8 *	9617235	INPUT/OUTPUT CIRCUIT BOARD
	9611761	FINE WIRE FUSE 16A
9 *	9533502	POWER SUPPLY UNIT
	0145047	FINE WIRE FUSE 2A
10	9605554	RELAY 24VDC 1S/10
11 *	9544738	MOTOR SAFETY SWITCH 3RV1021-4DA10 S0
12 *	9544732	MOTOR SAFETY SWITCH 3RV1021-4BA10 S0
13 *	9545326	MOTOR SAFETY SWITCH 3RV1021-1FA10 S0
14 *	9546245	MOTOR SAFETY SWITCH 3RV1021-1AA10 S0
15 *	9531837	MOTOR SAFETY SWITCH 3RV1021-0FA15
16 *	9542897	CONTACTOR 24V 4KW 3RT1023-1BB40
17 *	9610355	FUSE BLOCK B10
18	9607101	CABLE TIE SUPPORT
	9540552	EPROM
	9627977	E-EPROM
*	9542762	CONNECTION CABLE FOR CIRCUIT BOARD
*	9545152	COMMUNICATION RIBBON CABLE

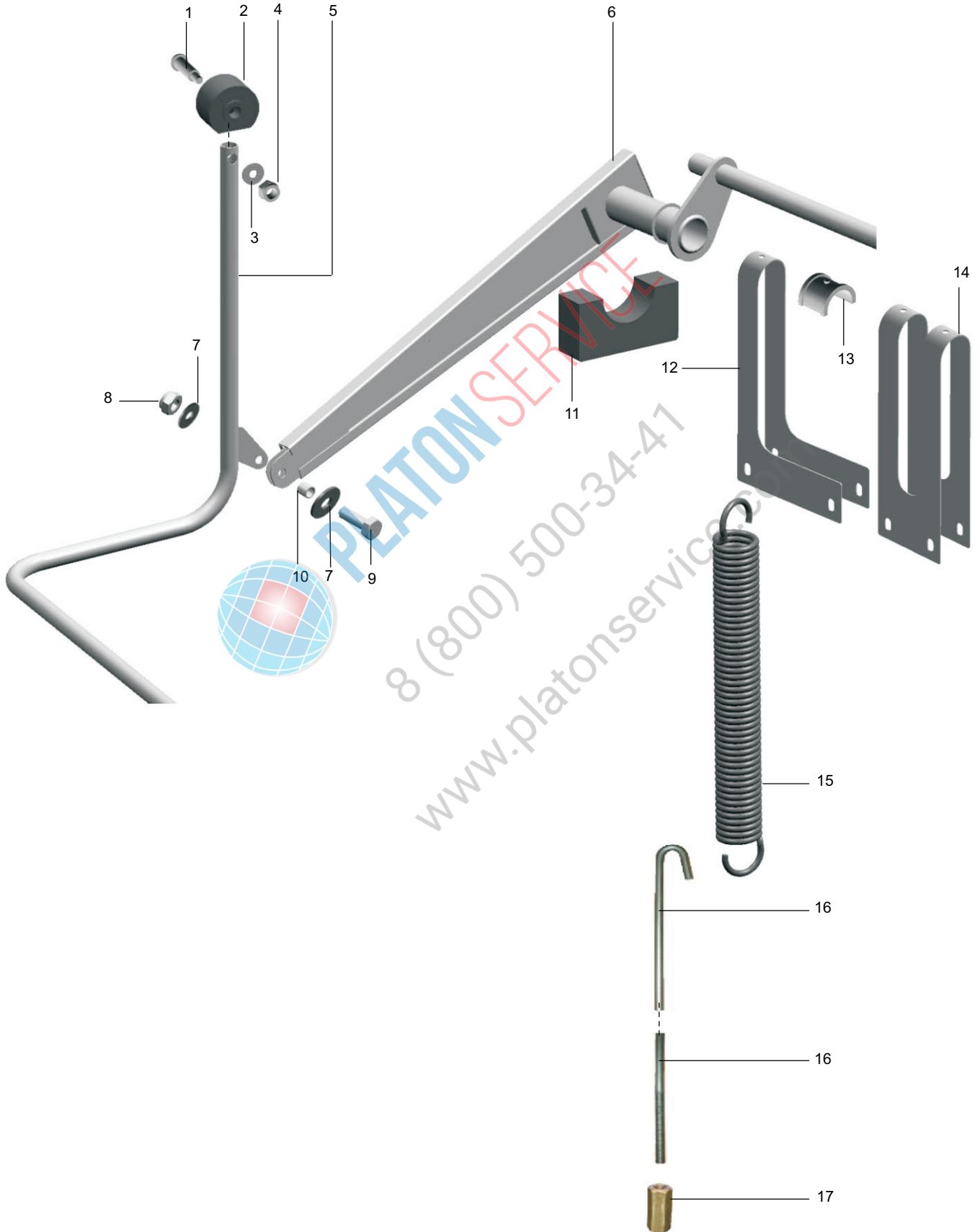
# 13.43 COMPONENT BLOCKS / PARTS



## 13.43 COMPONENT BLOCKS / PARTS

POS	PART NO.	DESCRIPTION
1	9603465	SPRING HOUSING COVER
2	9603448	CLADDING, BACK
3	9601502	HOOD CPL.
4	9601666	SIDE CLADDING
5	9616842-03	SUPPORT ROLL CPL. RIGHT
	9616842-04	SUPPORT ROLL CPL. LEFT
6	9605008	SUPPORT ROLL
7	9601686	FRONT SHEET
8 *	9500378	TABLE FEET
9	9609428	HOOD ROD RIGHT HAND SIDE
	9608197	HOOD ROD LEFT HAND SIDE
10 *	9608643	SUPPORT ROLL
11	9609409	OVAL HEAD SCREW M8X12
12	9614691	SUPPORT ROLL RIGHT HAND SIDE CPL.
	9606817	SUPPORT ROLL LEFT HAND SIDE CPL.
13 *	9608634	SUPPORT ROLL
14	9623917	COVER PLATE
15	0306127	FLAT HEAD SCREW M6X12
	9600597	COVERING SIEVE CPL.
	9601874	BASKET GUIDE RAIL CPL.
	9601786	BASKET

# 14.11 HOOD ROD



PLATON SERVICE  
8 (800) 500-34-47  
www.platonservice.com



## 14.11 HOOD ROD

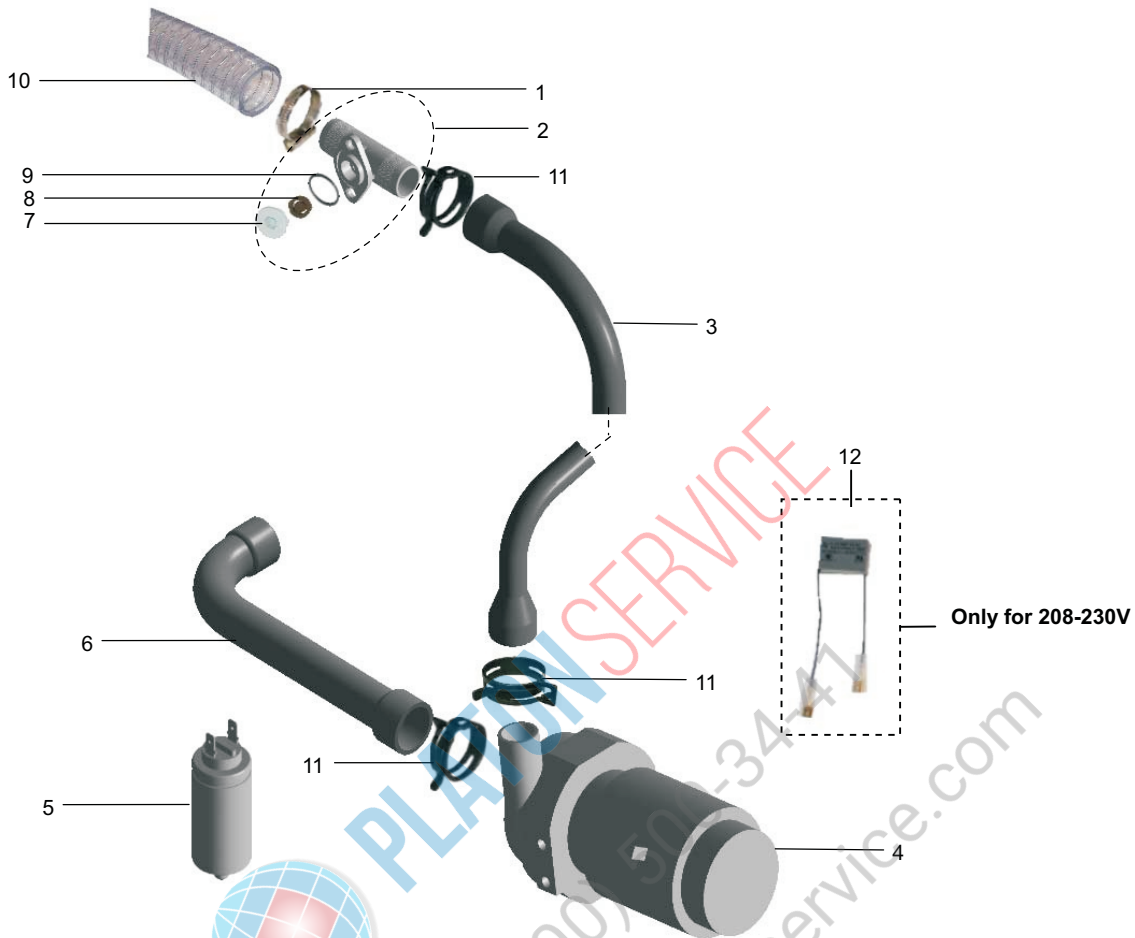


POS	PART NO.	DESCRIPTION
1	9601738	THREADED BOLT M12
2	9601739	COVER
3	0340050	DISK 13X37X3
4	0337014	SAFETY NUT M12
5	9601721	HANDLE
6	9601726	HOOD ROD
7	0340005	DISK 10.5X18X1.6
8	0337007	SAFETY NUT M10
9	0302020	HEXAGON HEAD CAP SCREW M10X25
10	9609981	BUSH
11	9601691	BEARING PIECE
12	9603342	UPPER SPRING SUSPENDER
13	9602954	SLIDING BEARING FOR SPRING SUSPENSION
14	9603395	UPPER SPRING SUSPENDER
15 *	0430006	TENSION SPRING
16 *	9601569	TENSION SCREW M8
17	8004147	TENSION M8



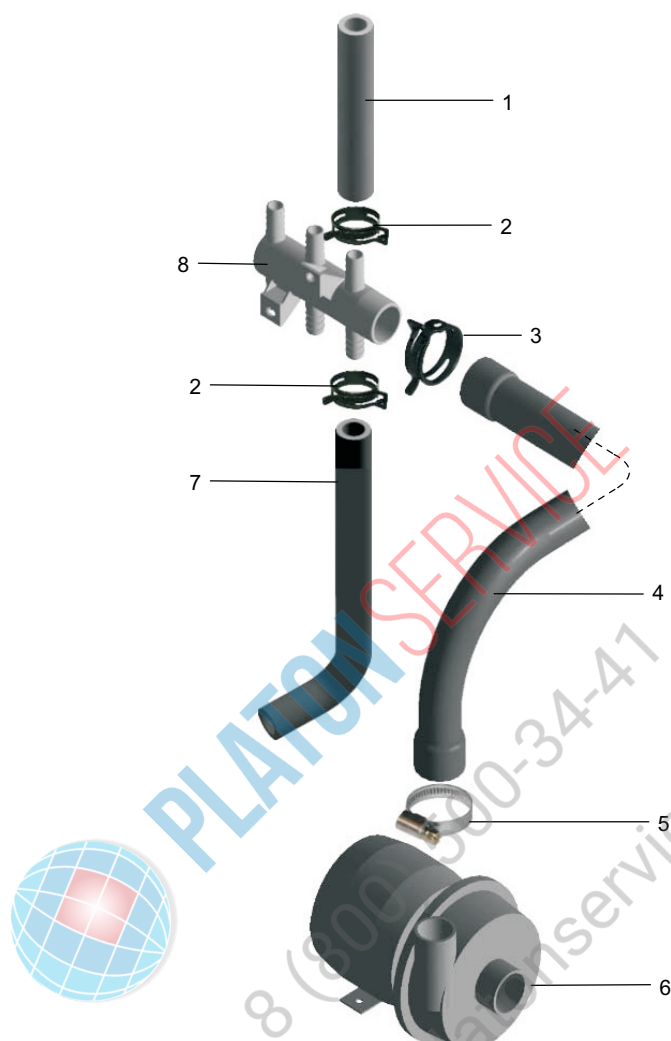
PLATON SERVICE  
8 (800) 500-34-41  
www.platonservice.com

## 18.09 DRAIN PUMP



POS	PART NO.	DESCRIPTION
1	0233045	HOSE WIRE CLAMP 20/32
2	9515229	VENT VALVE
3	9600813	HOSE
4 *	9544287	DRAIN PUMP CPL. <b>200-230V 60 HZ</b>
4 *	9544376	DRAIN PUMP CPL. <b>460V 60 HZ</b>
V	9543778	SLIDING SEAL CPL.
*	9543779	PUMP WHEEL
	9543780	PUMP HOUSING
*	9543781	PACKING FOR PUMP HOUSING
5 *	9520030	CONDENSER 5 $\mu$ F
6	9600814	HOSE
7	9515231	SCREW
8 *	9515234	PACKING
9 *	0401016	O-RING 21X2
10	9007232	HOSE 22X2500
11	9607417	HOSE CLAMP TAPE 030
12	9550030	R-C UNIT <b>ONLY FOR 208-230V</b>

## 22.12 BOOSTER PUMP



POS	PART NO.	DESCRIPTION
1	9608600	HOSE ½"
2	9607418	HOSE CLAMP TAPE 021
3	9607416	HOSE CLAMP TAPE 036
4	9600844	HOSE
5	0233046	HOSE WIRE CLAMP 32-50
6 *	9545451	BOOSTER PUMP CPL.
*	9548658	SLIDING SEAL CPL
*	9552773	PUMP WHEEL
	0501061	PUMP HOUSING
*	0501094	PACKING FOR PUMP HOUSING
7	9607559	HOSE
8	9600841	DISTRIBUTOR FOR FV130.2
	9603727	DISTRIBUTOR FOR FV250.2, DV270.2



**PLATON**SERVICE

8 (800) 500-34-41

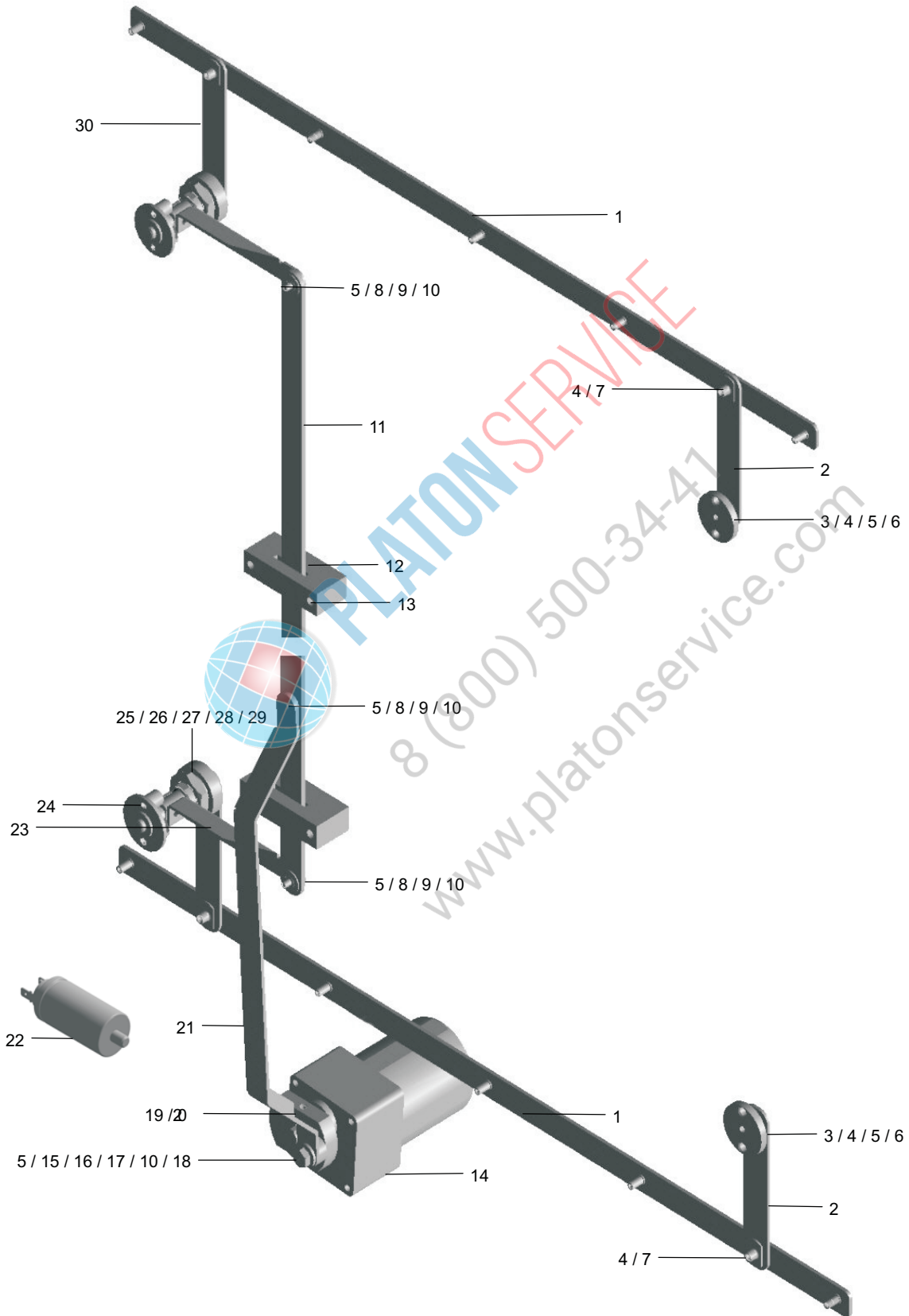
[www.platonservice.com](http://www.platonservice.com)

## 24.07 AIR GAP



POS	PART NO.	DESCRIPTION
1 *	9523195	AIR GAP CPL.
2 *	0650076	PACKING
3	0233036	HOSE WIRE CLAMP 10/16
4		SEE PAGE 04 SOLENOID VALVE
5		SEE PAGE 10 DOSING UNITS
6	9605930	HOSE WIRE CLAMP 8.5-9.5
7		SEE PATE 08 INCORPORATED BOILER
8		SEE PAGE 08 INCORPORATED BOILER
9	9607418	HOSE CLAMP TAPE 021
10	9609462	HOSE CLAMP TAPE 017
11	8000609	WATER GUIDING SHEET

# 29.07 WASH ARM DRIVE



## 29.07 WASH ARM DRIVE

POS	PART NO.	DESCRIPTION
1	9601004	RAIL
2	9600795	LEVER
3 *	9600646	BEARING HOUSING
4 *	9600796	BEARING BUSH
5	0337001-H	NUT M5
6	0340021	DISK
7 *	9600641	BEARING RING
8	9600788	DISK
9 *	9600714	BEARING BUSH
10	9600788	DISK
11	9601420	RAIL
12	9600739	BEARING BLOCK
13	9600741	PLATE
14 *	9544642	DRIVE MOTOR 230V 50/60HZ
15 *	9600651	BEARING BUSH
16 *	9600722	BUSHING
17	0302009	SCREW M8X30
18	9606415	SPACER RING
19	9600738	ECCENTRIC DISK
20	0302044-H	HEXAGON SCREW M5X15
21	9600719	RAIL
22 *	9538345	CONDENSER 1 $\mu$ F
23	9600725	LEVER
24 *	0620372	SLIDING BEARING
25 *	9600632	BEARING HOUSING
26 *	0402003	RADIAL SHAFT PACKING RING
27 *	0401023	O-RING
28	9600728	HEXAGON NUT
29 *	9600640	BEARING BUSH
30 *	9600730	LEVER